

# GJS-IV-9001 Fiber Optical Splice Closure Specifications

Version:1.0



Official website



Technical specification



Installation guide



Download CN ver

# GJS-IV-9001 type fiber optic splice closure specifications

GJS-IV-9001 Hafur type nut sealed cable joint box, using an innovative circular circular clamshell Hafur type structure design, the whole with a rotating shaft and a few screws fixed seal. The cable inlet and outlet holes are designed with nut sealing structure. The cable inlet and outlet holes are sealed according to the diameter of the cable, and the cable can be sealed by automatically shrinking and holding the cable by rotating locking nut elastomer sealing ring. The productThe main function is to provide splicing and splicing + splicing and branch splicing protection for various types of optical cables in optical transmission links. The shell of the product is made of modified PC engineering plastic, which has good physical and chemical properties and is suitable for overhead and wall mounting.



## Reliable sealing



The upper and lower shell of the cable connector box adopts a reliable elastomer sealing component, and the optical cable inlet and outlet holes are mechanically sealed by clamping the sealing ring with nuts, and the protection level reaches above IP68. The cable inlet and outlet holes of the connector box have different specifications of sealing rings to choose from, which can meet the different diameters of the cable inlet and outlet sealing, and the sealing performance of the product is good.

## Modular design



The welding disc is designed with a fast superposition structure and can be increased or decreased according to the capacityThe number of welding disks.

Optical fibers with loose sleeves can be coiled and stored.

The bending radius of the optical fibers is greater than 30mm.

## Powerful Features

Support cable splitting, docking and welding.

Can be aerial, wall hanging installation.

The metal parts in the connector box can be grounded through the grounding device and grounding cable.

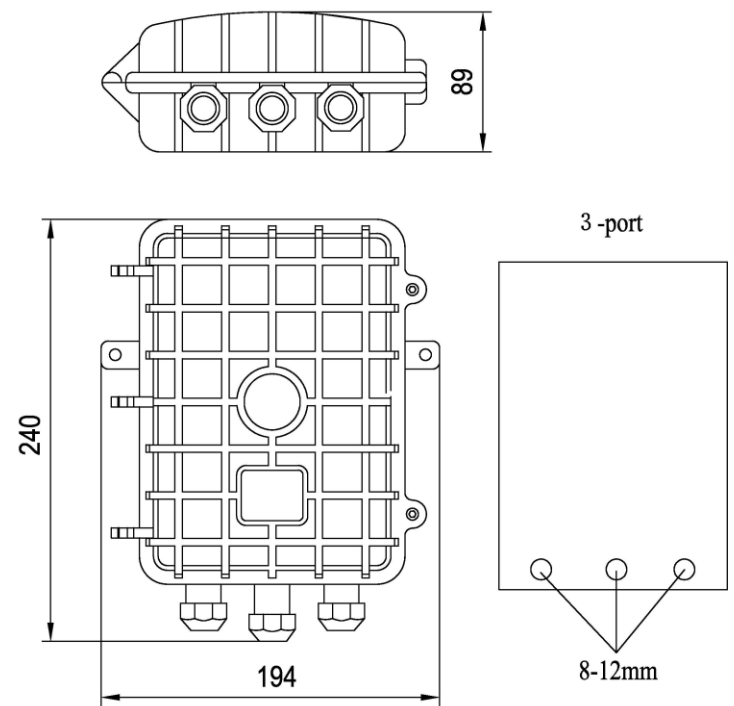
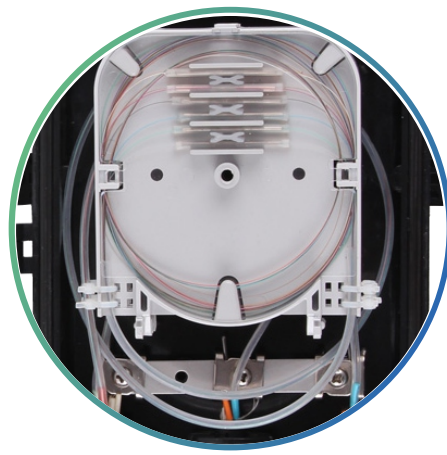
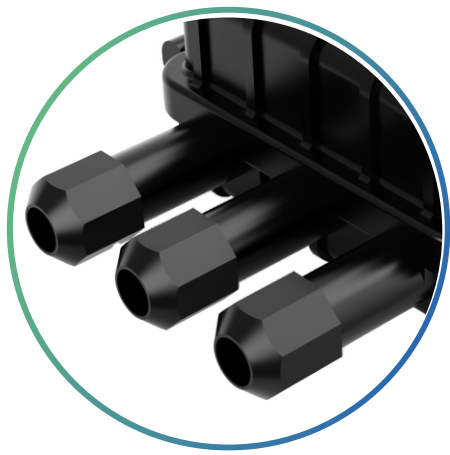
## Excellent practicabilit



The shell of the joint box is made of modified PC material, and the internal metal parts are made of 304 stainless steelMaterials are produced that can meet a service life of more than 25 years (depending on the environment), withIt has good impact and corrosion resistance.

If necessary, the fitting box can also be fitted with a valve nozzle for the tightness test of the fitting box.

# GJS-IV-9001 type fiber optic splice closure specifications



Product specifications	Splicing tray A	Splicing tray B
Maximum capacity	32 cores	48 cores
Capacity of each splice tray	4-8 core/tray	6-12 core/tray
Maximum number of splice trays	max 4 pcs	max 4 pcs
Number of optical cable entrance and exit tubes	3 main cable ports	

## Ordering Guide

## Accessories information



Product number  
GJS-IV-9001



Product size  
240\*194\*89mm



Product weight  
1.2kg



Qty/CTN  
12 set



Inner carton size  
245\*190\*100mm



Outer carton size  
515\*395\*330mm

### Standard accessories

1. Labeling paper		5. Nylon tie	
2. Hanging hook		6. Desiccant	
3. Abrasive cloth		7. Special wrench	
4. Heat shrinkable protective sleeve		8. Earthing wire	


### Optional accessories

1. Wall mounting kit		3. Buffer tube for bunchy fiber	
2. Earthing deriving device			

# To the future together.

 [www.ztong.com](http://www.ztong.com)

 [info@ztong.com](mailto:info@ztong.com)

 Tel:86-0574-62498928

 Ningbo Zhantong Telecom Equipment Co.,Ltd.

 Fumin Industrial Zone,Moushan,Yuyao City,Zhejiang,China