

GJS-I-8019 Fiber Optical Splice Closure Specifications

Version:1.0



Official website



Technical specification



Installation guide



Download CN ver

GJS-I-8019 type fiber optic splice closure specifications

GJS-I-8019 Cap nut cable connector box, The innovative circular cap structure design is adopted, the box cover and the bottom of the box are locked and sealed with a hoop, and the optical cable is in and out of the single end. The main function of the product is to provide non-cutting straight-through + splicing and splicing + splicing and branch joint protection for various types of optical cables in the optical transmission link, which can play the role of straight-through, splicing, splitting and wiring. The shell of the product is made of modified PC engineering plastic, with good physical and chemical properties, suitable for overhead, pole, wall hanging and other installation.



Reliable sealing

The shell of the fiber optic splice closure and the entrance and exit holes of the optical cable are mechanically sealed with reliable shell silicone sealing ring, silicone sealing ring and stainless steel gasket, and the protection level is above IP68.

The optical cable inlet and outlet sealing rings are available in different sizes of apertures, which can meet the sealing performance of optical cables of different diameters, and the sealing performance of the product is better.



Modular design

The welding disc is designed with a fast superposition structure and can be increased or decreased according to the capacity. The number of welding disks.

Optical fibers with loose sleeves can be coiled and stored.

The bending radius of the optical fibers is greater than 30mm.

Powerful Features

Support cable splitting, docking and welding.

Can be aerial, wall hanging, holding pole installation.

The metal parts in the connector box can be grounded through the grounding device and grounding cable.

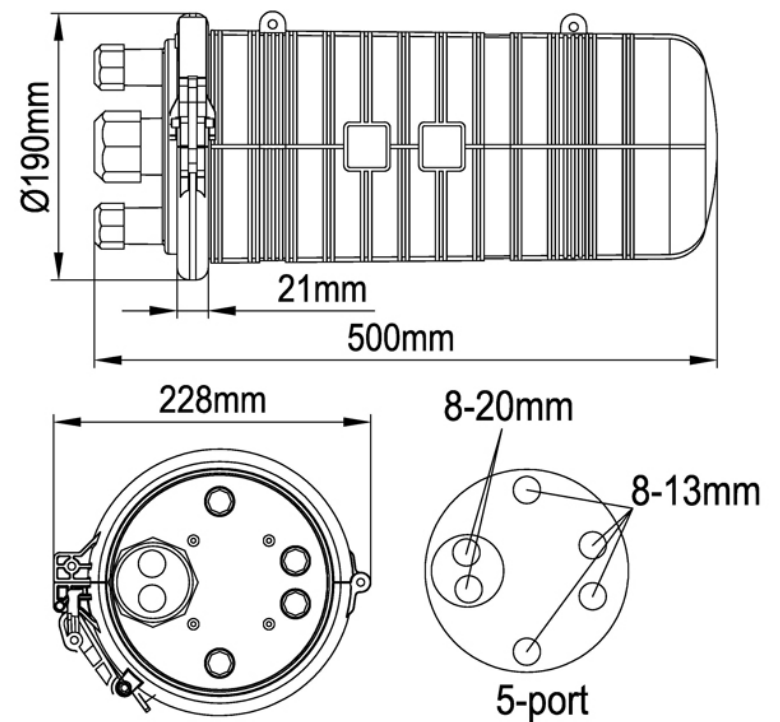
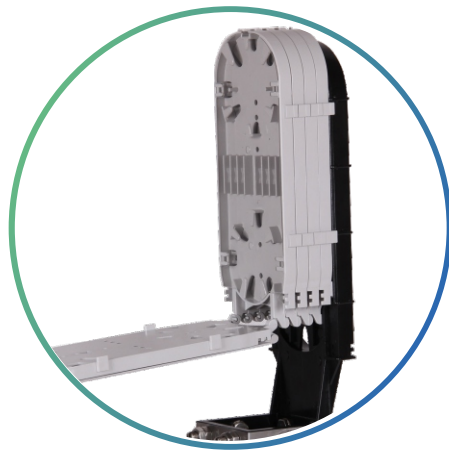


Excellent practicability

The shell of the joint box is made of modified PC material, and the internal metal parts are made of 304 stainless steel. Materials are produced that can meet a service life of more than 25 years (depending on the environment), with good impact and corrosion resistance.

If necessary, the fitting box can also be fitted with a valve nozzle for the tightness test of the fitting box.

GJS-I-8019 type fiber optic splice closure specifications



Product specifications	Splicing tray (bunchy)	Splicing tray (ribbon)
Maximum capacity	192 cores	288 cores
Capacity of each splice tray	12-24 core/tray	72 core/tray
Maximum number of splice trays	max 8 pcs	max 4 pcs
Number of optical cable entrance and exit tubes	1 oval port, 4 branch ports	

Ordering Guide

Accessories information



Product number
GJS-I-8019



Product size
500*Ø190mm



Product weight
3.8kg



Qty/CTN
4 set



Inner carton size
220*200*515mm



Outer carton size
460*420*535mm

Standard accessories

1. Labeling paper		6. Nylon tie	
2. Installation tape		7. Desiccant	
3. Abrasive cloth		8. Special wrench	
4. Heat shrinkable protective sleeve		9. Earthing wire	
5. Seal tape			


Optional accessories

1. Pressure testing valve		6. Pole mounting	
2. Earthing deriving device		7. Wall mounting kit	
3. Buffer tube for bunchy fiber		8. Aerial mounting kit	
4. Buffer tube for ribbon fiber		9. Wall mounting kit	
5. Metal wrench (large size)		10. Metal hoop	

To the future together.

 www.ztong.com

 info@ztong.com

 Tel:86-0574-62498928

 Ningbo Zhantong Telecom Equipment Co.,Ltd.

 Fumin Industrial Zone,Moushan,Yuyao City,Zhejiang,China