

# GJS-III-6010 Fiber Optical Splice Closure Specifications

Version:1.0



Official website



Technical specification



Installation guide



Download CN ver

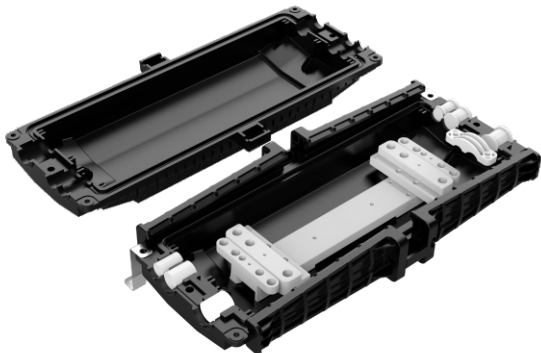
# GJS-III-6010 type fiber optic splice closure specifications

GJS-III-6010 Hafu-type tape sealed cable connector box, using innovative arc Hafu-type structure design, the whole with four insert plate clamping and a small number of screws fixed seal. The optical cable access holes are sealed by mechanical tape. Select the appropriate optical cable access holes according to the diameter of the optical cable access holes. Wrap the sealing tape and install it in the corresponding access holes to seal the optical cable. The main functions of this product are in the optical transmission link, it provides continuous protection for various types of optical cables without cutting through + splicing and splicing + splicing and branch joint. The shell of the product is made of modified PC engineering plastic, with good physical and chemical properties, suitable for overhead, pole, wall hanging, direct buried installation.



## Reliable sealing

The upper and lower shells of the optical cable joint box are sealed with reliable elastic components, and the optical cable inlet and outlet holes are mechanically sealed by winding sealing tape, with a protection level of IP68 or above. The optical cable inlet and outlet holes of the junction box have different specifications of aperture to choose from, which can meet the sealing requirements of optical cables with different diameters. The sealing performance of the product is good.

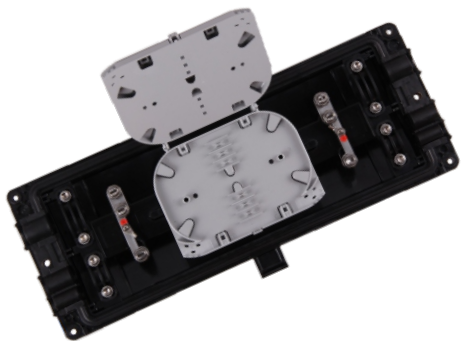


## Modular design

The welding disc adopts a fast stacking structure design, which can increase or decrease the number of welding discs according to the capacity. The bottom of the box supports fiber optic coil storage with loose sleeves, and the bending radius of the fiber optic is greater than 30mm.

## Powerful Features

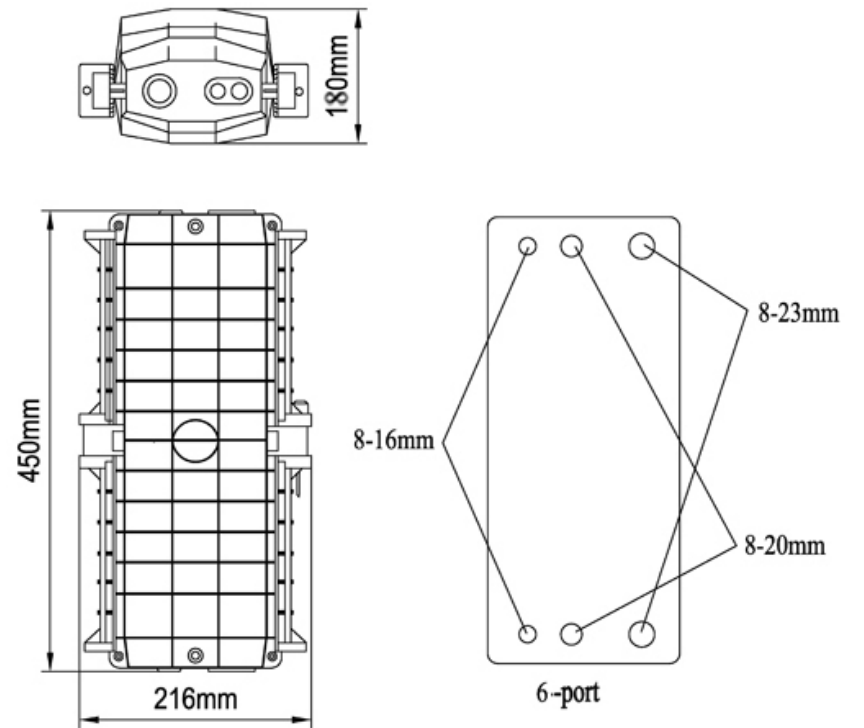
Support the direct connection, branching, docking, and fusion of optical cables. Can be installed overhead, wall mounted, pole supported, or directly buried. By using grounding devices and grounding wires, support the grounding of metal components inside the junction box.



## Excellent practicability

The joint box shell is made of modified PC material, and the internal metal parts are made of 304 stainless steel material, which can meet a service life of more than 25 years (depending on the environment) and has good impact and corrosion resistance characteristics. If necessary, the connector box can also be equipped with a valve for air tightness testing.

# GJS-III-6010 type fiber optic splice closure specifications



Product specifications	Splicing tray (bunchy)	Splicing tray (bunchy)	Splicing tray (ribbon)
Maximum capacity	216 cores	192 cores	432 cores
Capacity of each splice tray	12-24 core/tray	12-24 core/tray	72 core/tray
Maximum number of splice trays	max 9 pcs	max 8 pcs	max 6 pcs
Number of optical cable entrance and exit tubes	6 main cable ports		

## Ordering Guide



Product number  
GJS-III-6010



Product size  
450\*216\*180mm



Product weight  
3.8kg



Qty/CTN  
6 set



Inner carton size  
465\*222\*165mm



Outer carton size  
480\*465\*520mm

## Accessories information

### Standard accessories

1. Labeling paper		7. Special wrench	
2. Installation tape		8. Earthing wire	
3. Abrasive cloth		9. Seal tape	
4. Heat shrinkable protective sleeve		10. Hexagonal wrench	
5. Nylon tie		11. Measuring paper	
6. Desiccant		12. Hanging hook	


### Optional accessories

1. Pressure testing valve		4. Pole mounting	
2. Earthing deriving device		5. Wall mounting kit	
3. Buffer tube for bunchy fiber		6. Buffer tube for ribbon fiber	

**To the future together.**

 [www.ztong.com](http://www.ztong.com)

 [info@ztong.com](mailto:info@ztong.com)

 Tel:86-0574-62498928

 Ningbo Zhantong Telecom Equipment Co.,Ltd.

 Fumin Industrial Zone,Moushan,Yuyao City,Zhejiang,China