

# GJS-I-2025 Fiber Optical Splice Closure Specifications

Version:1.0



Official website



Technical specification



Installation guide



Download CN ver

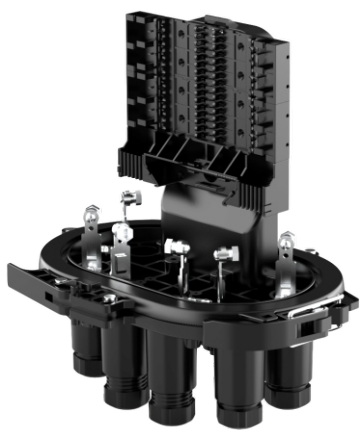
# GJS-I-2025 type fiber optic splice closure specifications

GJS-I-2025 cap type screw cable connector box adopts the innovative flat circular cap structure design, the box cover and the bottom of the box are locked and sealed with a hoop, and the cable is in and out of the single end. The main function of the product is to provide non-cutting straight-through + splicing and splicing + splicing and branch joint protection for various types of optical cables in the optical transmission link, which can play the role of straight-through, splicing, splitting and wiring. The shell of the product is made of modified PP engineering plastic, which has good physical and chemical properties, and is suitable for overhead, pole, wall hanging, underground and pipeline installation.



## Reliable sealing

The optical cable connector box shell and optical cable inlet and outlet holes are mechanically sealed with reliable shell silicone sealing ring and stainless steel washer, and the protection level is above IP68. The optical cable inlet and outlet hole sealing ring has different specifications of aperture to choose from, which can meet the different diameters of optical cable inlet and outlet sealing, and the sealing performance of the product is better.



## Modular design

The welding disc and its fixed bracket adopt modular structure design, which can increase or reduce the number of welding disc and fixed bracket according to the welding capacity, and has a high cost performance. Optical fibers with loose sleeves can be coiled and stored in the storage disk. The bending radius of optical fibers is greater than 30mm.

## Powerful Features

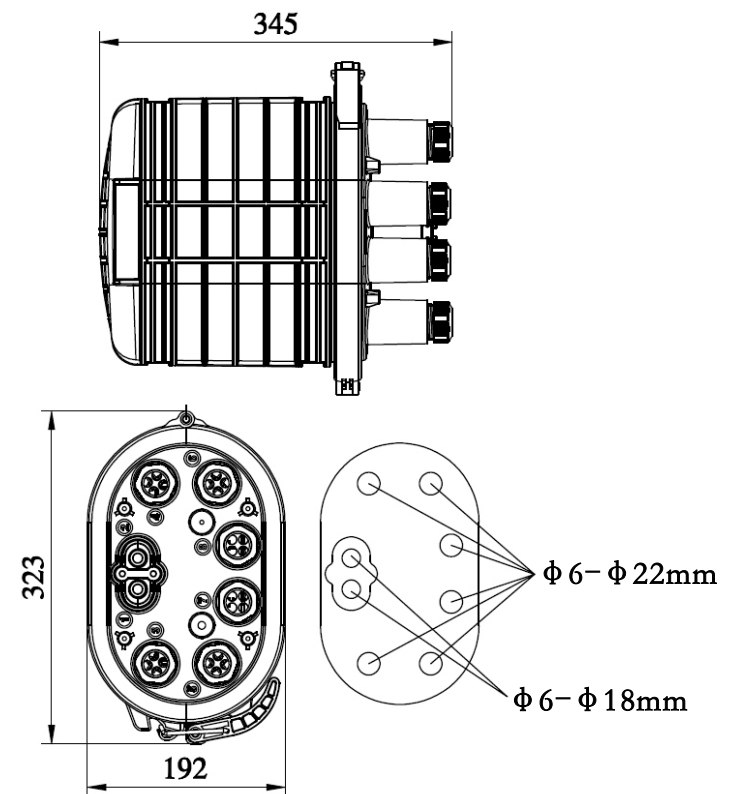
Support optical cable welding, splitting, wiring, divergence, docking and through inventory; Can be aerial, wall hanging, pole holding, buried, pipeline installation; The metal parts in the connector box can be grounded through the grounding device and grounding cable.



## Excellent practicabilit

The shell of the joint box is made of modified PP material, and the internal metal parts are made of 304 stainless steel material, which can meet the service life of more than 25 years (depending on the environment), and has good impact and corrosion resistance characteristics. If necessary, the fitting box can also be fitted with a valve nozzle for the tightness test of the fitting box.

# GJS-I-2025 type fiber optic splice closure specifications



Product specifications	Splicing tray A	Splicing tray B	Splicing tray C
Maximum capacity	96 cores	192cores	80cores
Capacity of each splice tray	6-12 core/tray	6-12 core/tray	5-10 core/tray
Maximum number of splice trays	max 8pcs	max 16pcs	max 8 pcs
Number of optical cable entrance and exit tubes	1 oval port / 6branch ports		

## Ordering Guide

## Accessories information



Product number  
GJS-I-2025



Product size  
323\*192\*345mm



Product weight  
4kg



Qty/CTN  
4 set



Inner carton size  
330\*210\*335mm



Outer carton size  
680\*440\*360mm

### Standard accessories

1. Seal tape		5. Nylon tie	
2. Installation tape		6. Desiccant	
3. Abrasive cloth		7. Special wrench	
4. Heat shrinkable protective sleeve		8. Hose clamp	


### Optional accessories

1. Pressure testing valve		5. Pole mounting	
2. Earthing deriving device		6. Aerial mounting kit	
3. Buffer tube for bunchy fiber		7. Wall mounting kit	
4. Drop cable sealing accessories			

# To the future together.

 [www.ztong.com](http://www.ztong.com)

 [info@ztong.com](mailto:info@ztong.com)

 Tel:86-0574-62498928

 Ningbo Zhantong Telecom Equipment Co.,Ltd.

 Fumin Industrial Zone,Moushan,Yuyao City,Zhejiang,China