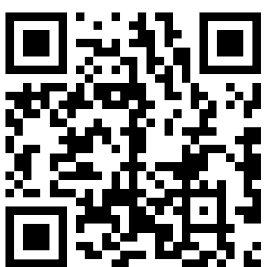


FAT-145 Optical Fiber Distribution Box Specifications

Version:1.0



View website



Download CN ver

FAT -145 type fiber optic distribution box specifications

FAT-145 type optical fiber distribution box is used in the terminal access link of FTTH optical fiber to the access system. It is an ideal supporting equipment for wiring between optical nodes and terminal equipment in optical fiber transmission networks. It has the ability to support optical fiber storage. It has the function of flexible scheduling of light splitting and wiring. The protection level of this product reaches Ip68, and is suitable for outdoor pole and aerial-mounted and wall-mounted installation. The maximum capacity 96 core, You can install 1 : 8 or 1 : 16 PLC miniature optical splitters as needed, it can hold one mid-span cable, two branch cables, and a maximum of 16 drop cables. If necessary, you can also install 16 SC adapters, and use fiber optic quick connectors to lead out fiber optic cables.



Reliable sealing

The input and output cable ports are sealed with silicone sealing rings. The cable ports are tightened by the nut screws, the sealing performance will be better.

Modular design

Optical fiber splicing trays and storage trays adopt a friendly modular structure design. The number of splicing trays can be increased or reduced according to capacity to meet the needs of different users. Supports coiled storage of optical fibers with loose tubes, and the bending radius of the optical fiber is greater than 30 mm.



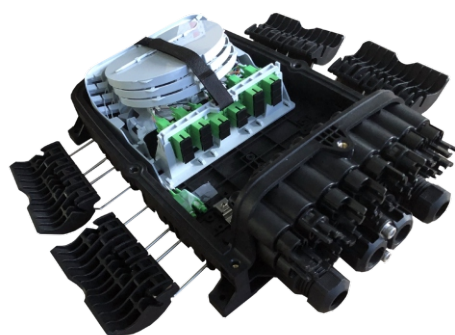
Powerful Features

Supports splicing, splitting, wiring, branching, pass-through inventory of optical cables.

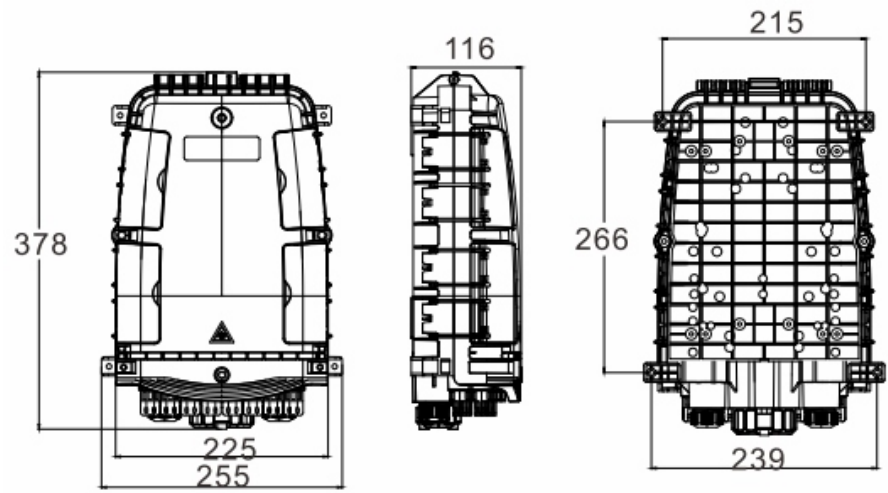
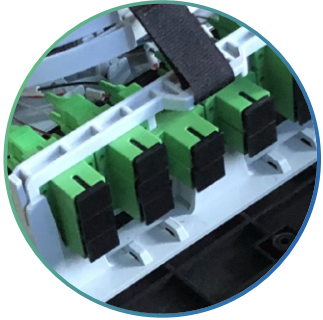
Supports pole and aerial-mounted and wall-mounted installation. Through the grounding device and grounding wire, the metal parts inside the distribution box are supported to be grounded.

Excellent practicability

The fiber distribution box shell is made of modified PP +GF material, and the internal metal parts are made of high-quality steel plate materials. It can meet the service life of more than 20 years (depending on the environment), and has good impact resistance and resistance. Corrosion properties.



FAT -145 type fiber optic distribution box specifications



Product specifications	Splicing tray A	Splicing tray B	Splicing tray A-1
Maximum capacity	48 cores	64 cores	24 cores
Capacity of each splice tray	12 core/tray	8 core/tray	6 core/tray
Maximum number of splice trays	max 4 pcs	max 8 pcs	max 4 pcs
Number of optical cable entrance and exit tubes	1 oval port/2 branch ports/16 drop cable ports		

Product specifications	Splicing tray C	Splicing tray D	Splicing tray E
Maximum capacity	96 cores	96 cores	96 cores
Capacity of each splice tray	12 core/tray	24 core/tray	24 core/tray
Maximum number of splice trays	max 8 pcs	max 4 pcs	max 4 pcs
Number of optical cable entrance and exit tubes	1 oval port/2 branch ports/16 drop cable ports		

Ordering Guide

Accessories information



Product number
FAT-145



Product size
378*255*116mm



Product weight
1.5kg



Qty/CTN
8 set



Inner carton size
385*260*125mm



Outer carton size
540*405*540mm


Standard accessories

1. M6 Allen key		9 .Aerial mounting kit	
2. Heat shrinkable protective sleeve		10.Wall mounting kit	
3.Key		11.Pole mounting kit-A	
4.Nylon tie		12.Pole mounting kit-B	
5. Bare fiber protection tube		13.Brach cable sealing nut wrench	
6. Hose clamps		14.Drop cable sealing nut wrench	
7. Optical cable entrance sealing plug		15. Users' manual	
8. Drop cable storage tray			

To the future together.

 www.ztong.com

 info@ztong.com

 Tel:86-0574-62498928

 Ningbo Zhantong Telecom Equipment Co.,Ltd.

 Fumin Industrial Zone,Moushan,Yuyao City,Zhejiang,China