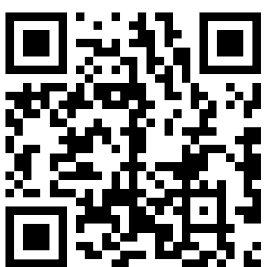


FAT-125 Optical Fiber Distribution Box Specifications

Version:1.0



View website



Download CN ver

FAT-125 type fiber optic distribution box specifications

FAT-125 type optical fiber distribution box is used in the terminal access link of FTTH optical fiber to the access system. It is an ideal supporting equipment for wiring between optical nodes and terminal equipment in optical fiber transmission networks. It has the ability to support optical fiber storage. It has the function of flexible scheduling of light splitting and wiring. The protection level of this product reaches IP65, and is suitable for outdoor pole and aerial-mounted and wall-mounted installation. You can install 2 pcs 1 : 8 or 1 pcs 1 : 16 PLC miniature splitters as needed. The maximum capacity 36 core, It has 3 pcs input/output optical cable ports, and a maximum of 16 drop cables. If necessary, you can also install 16 SC adapters, and use fiber optic quick connectors to lead out fiber optic cables.



Reliable sealing



The input and output cable ports are sealed with silicone sealing rings. The cable ports are tightened by the nut screws, the sealing performance will be better.

Modular design



Optical fiber splicing trays and storage trays adopt a friendly modular structure design. The number of splicing trays can be increased or reduced according to capacity to meet the needs of different users. Supports coiled storage of optical fibers with loose tubes, and the bending radius of the optical fiber is greater than 30 mm.

Powerful Features

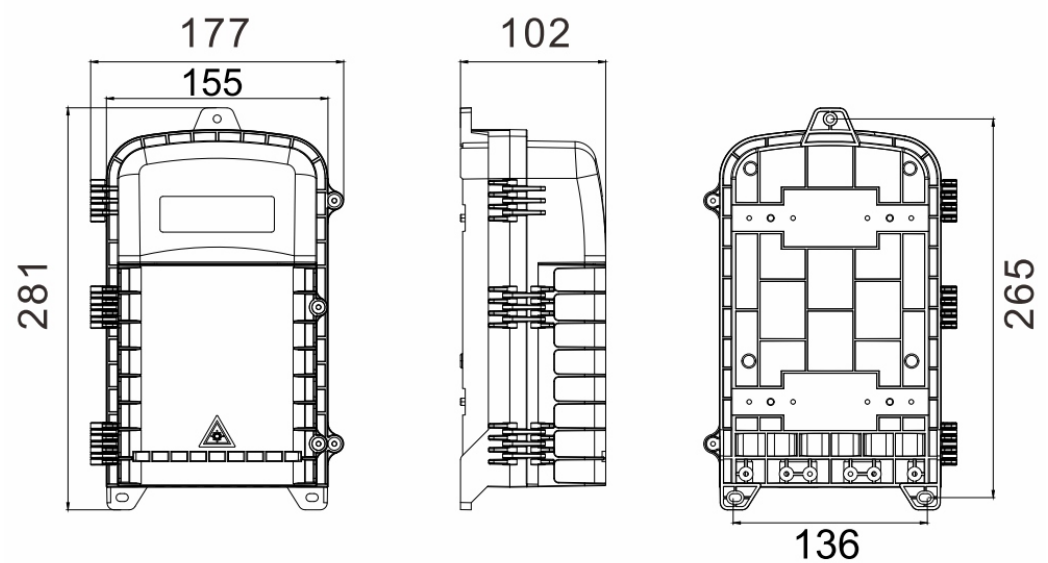
Supports splicing, splitting, wiring, branching, pass-through inventory of optical cables.

Supports pole and aerial-mounted and wall-mounted installation. Through the grounding device and grounding wire, the metal parts inside the distribution box are supported to be grounded.

Excellent practicability

The fiber distribution box shell is made of modified PP&PC+ABS material, and the internal metal parts are made of high-quality steel plate materials. It can meet the service life of more than 20 years (depending on the environment), and has good impact resistance and resistance. Corrosion properties.

FAT-125 type fiber optic distribution box specifications



Product specifications

Maximum capacity	36 cores
Capacity of each splice tray	12 core/tray
Maximum number of splice trays	max 3 pcs
Number of optical cable entrance and exit tubes	3 main cable ports, 16 drop cable ports

Ordering Guide

Accessories information



Product number
FAT-125



Product size
281*177*102mm



Product weight
0.9kg



Qty/CTN
10 set



Inner carton size
290*190*125mm



Outer carton size
400*310*665mm

Standard accessories

1. Special wrench		6. Wall mounting kit	
2. Heat shrinkable protective sleeve		7. Pole mounting kit	
3. Spiral tube		8. Aerial mounting kit	
4. Nylon tie		9. Drop cable storage tray	
5. Users' manual			

To the future together.

 www.ztong.com

 info@ztong.com

 电话:0574-62498928

 浙江省余姚市牟山镇富民工业区

 宁波展通电信股份设备有限公司