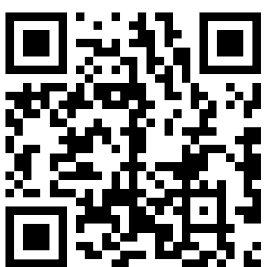


FAT-124 Optical Fiber Distribution Box Specifications

Version:1.0



View website



Download CN ver

FAT-124 type fiber optic distribution box specifications

FAT-124 type optical fiber distribution box is used in the terminal access link of FTTH optical fiber to the access system. It is an ideal supporting equipment for wiring between optical nodes and terminal equipment in optical fiber transmission networks. It has the ability to support optical fiber storage. It has the function of flexible scheduling of light splitting and wiring. The protection level of this product reaches Ip54, and is suitable for outdoor wall-mounted installation. You can install 1pcs 1 : 8 or 1 : 16 PLC miniature splitters as needed. The maximum capacity 20 core ,If necessary, you can also install 12 SC adapters , and use fiber optic quick connectors to lead out fiber optic cables.

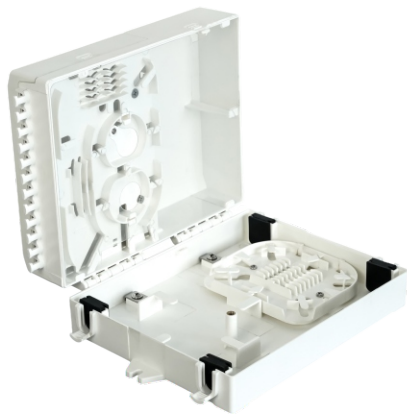


Reliable sealing



The input and output cable ports are sealed with silicone sealing rings. the cable ports are tightened by the nut screws, the sealing performance will be better.

Modular design



Optical fiber splicing trays and storage tray adopt a friendly modular structure design. The number of splicing trays can be increased or reduced according to capacity to meet the needs of different users. Supports coiled storage of optical fibers with loose tubes, and the bending radius of the optical fiber is greater than 30 mm.

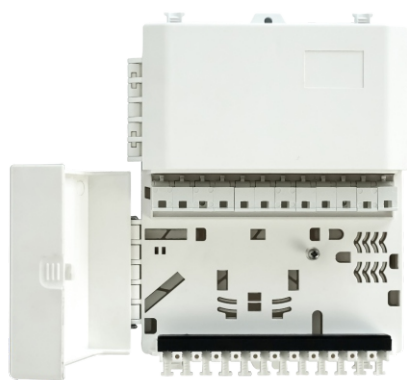
Powerful Features

Supports splicing,splitting,wiring,branching,pass-through inventory of optical cables.

Supports wall-mounting .

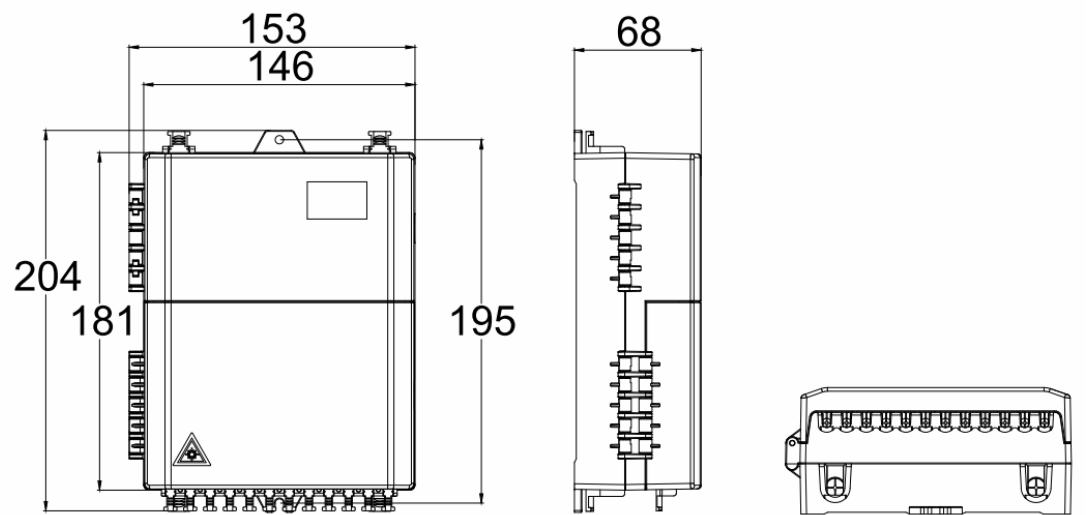
Through the grounding device and grounding wire,the metal parts inside the distribution box are supported to be grounded.

Excellent practicabilit



The fiber distribution box shell is made of modified PC+ABS material, and the internal metal parts are made of high-quality steel plate materials. It can meet the service life of more than 20 years (depending on the environment), and has good impact resistance and resistance. Corrosion properties.

FAT-124 type fiber optic distribution box specifications



Product specifications

Maximum capacity	20 cores
Capacity of each splice tray	20 core/tray
Maximum number of splice trays	max 1 pcs
Number of optical cable entrance and exit tubes	4 main cable ports, 12 drop cable ports

Ordering Guide

Accessories information



Product number
FAT-124



Product size
204*153*68mm



Product weight
0.4kg



Qty/CTN
20 set



Inner carton size
210*160*75mm



Outer carton size
440*340*410mm


Standard accessories

1. Nylon tie		3. Wall mounting kit	
2. Heat shrinkable protective sleeve		4. Users' manual	

To the future together.

 www.ztong.com

 info@ztong.com

 Tel:86-0574-62498928

 Ningbo Zhantong Telecom Equipment Co.,Ltd.

 Fumin Industrial Zone,Moushan,Yuyao City,Zhejiang,China